



**INSTALL INSTRUCTIONS
FOR
ELECTRIC KIT**

26 LYERLY ST. HOUSTON, TX 77022 713-691-2935 800-356-5189 FAX: 713-691-3250

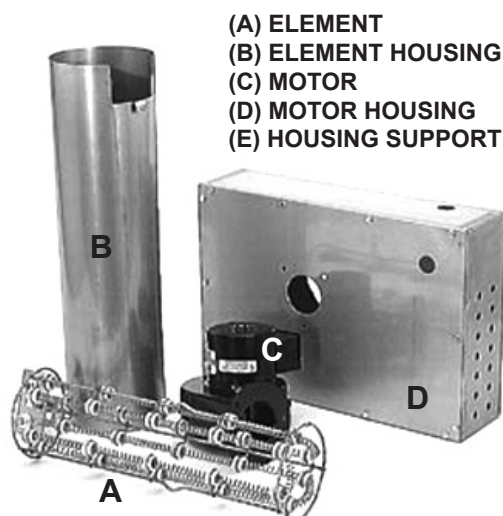
ELECTRIC HEATING KIT

THE BEST WAY TO DRY SAUSAGE AND JERKY IS WITH HOT MOVING AIR.

IN THIS KIT THE 60 CFM MOTOR (C) BLOWS ACROSS THE ELEMENT (A) CREATING HOT MOVING AIR. THE HOUSING (D) IS MOUNTED ON AN OUTSIDE WALL OF THE SMOKEHOUSE. THE ROUND HOUSING (B) PROTRUDES INSIDE THROUGH THE WALL BOTH PROTECTING THE ELEMENT AND CHANNELING THE HEATED AIR INSIDE YOUR SMOKEHOUSE. THE SIZE SMOKEHOUSE YOU CAN HEAT WILL DEPEND ON THE CONSTRUCTION OF THE SMOKEHOUSE AND THE TEMPERATURE IT IS OPERATING IN. THIS KIT WILL HEAT A WELL INSULATED, WIND PROTECTED SMOKEHOUSE OF UP TO 4 FT. X 4 FT. X 6 FT. HIGH

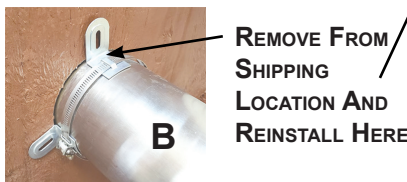
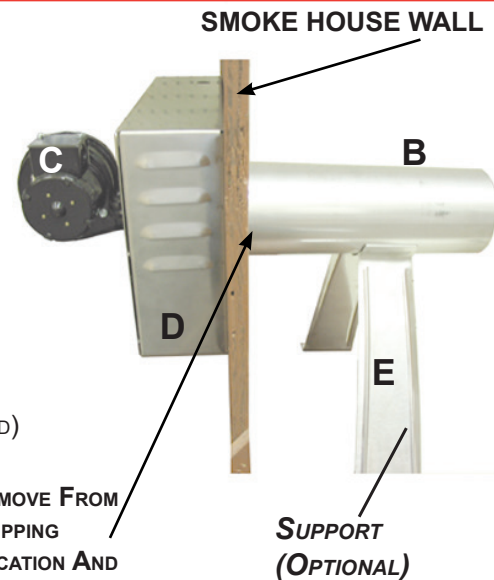
KIT INCLUDES:

- HEATING ELEMENT - 240 VOLT - 5000 WATT (RATED AT 21 AMPS)
- ELEMENT HOUSING - STAINLESS STEEL - 5" X 18"
- MOTOR - 60 CFM - 240 VOLT - 1/2 AMP
- MOTOR HOUSING - STAINLESS STEEL - 14"W X 11"H X 4"D



INSTALL UNIT As FOLLOWS:

- 1) CUT 5-1/8" DIAMETER HOLE IN SMOKEHOUSE WALL AT DESIRED LOCATION AND HEIGHT
- 2) REMOVE COVER FROM MOTOR HOUSING (D)
- 3) MOUNT HOUSING (D) TO SMOKEHOUSE WALL ALIGNING HOLE IN HOUSING WITH THE HOLE YOU CUT IN SMOKEHOUSE
- 4) REMOVE MOUNTING BRACKET (G) FROM IT'S SHIPPING LOCATION ON HOUSING (B).
SEE HIGHLIGHTED SECTION BELOW
- 5) INSERT ELEMENT HOUSING (B) WITH ELEMENT (A) INTO HOLE
- 6) SLIDE MOUNTING BRACKET (G) OVER HOUSING (B) UNTIL IT CONTACTS SMOKEHOUSE WALL
- 7) PULL HOUSING (B) AS FAR INTO THE SMOKEHOUSE AS POSSIBLE AND TIGHTEN MOUNTING BRACKET (G) CLAMP
- 8) SECURE MOUNTING BRACKET (G) TO SMOKEHOUSE WALL WITH SCREWS (NOT PROVIDED)



MOUNT BRACKET - USE THIS BRACKET TO SUPPORT AND STABILIZE A STOVE PIPE WHEN PASSING THROUGH A WALL.

THIS BRACKET IS INSTALLED ON THE ELEMENT HOUSING (B) WHEN SHIPPED TO STABILIZE HOUSING (B) DURING SHIPPING AND SHOULD BE REMOVED BEFORE INSTALLATION SO THE HOUSING (B) CAN BE FULLY INSERTED INTO THE SMOKEHOUSE.

ONCE HOUSING (B) IS FULLY INSERTED SLIDE THE MOUNTING BRACKET (G) OVER HOUSING (B) UNTIL IT CONTACTS SMOKEHOUSE WALL. PULL HOUSING (B) AS FAR INTO THE SMOKEHOUSE AS POSSIBLE THEN TIGHTEN MOUNTING BRACKET (G). SECURE MOUNTING BRACKET TO SMOKEHOUSE WALL WITH SCREWS (NOT PROVIDED). THE MOUNTING TABS ARE ADJUSTAGE - THEY SLIDE AROUND ON THE CLAMP TO THE POSITION YOU NEED AND ARE SLOTTED ALLOWING THE DIAMETER OF THE PASS THROUGH HOLE TO BE UP TO 1" LARGER THAN PIPE PROVIDING 1/2" AIR GAP IF NEEDED. IF WALL IS COMBUSTIBLE AN AIR GAP IS RECOMMENDED.

ALLIED KENCO SALES ...SUPPLYING TECHNICAL SUPPORT @ 800-356-5189